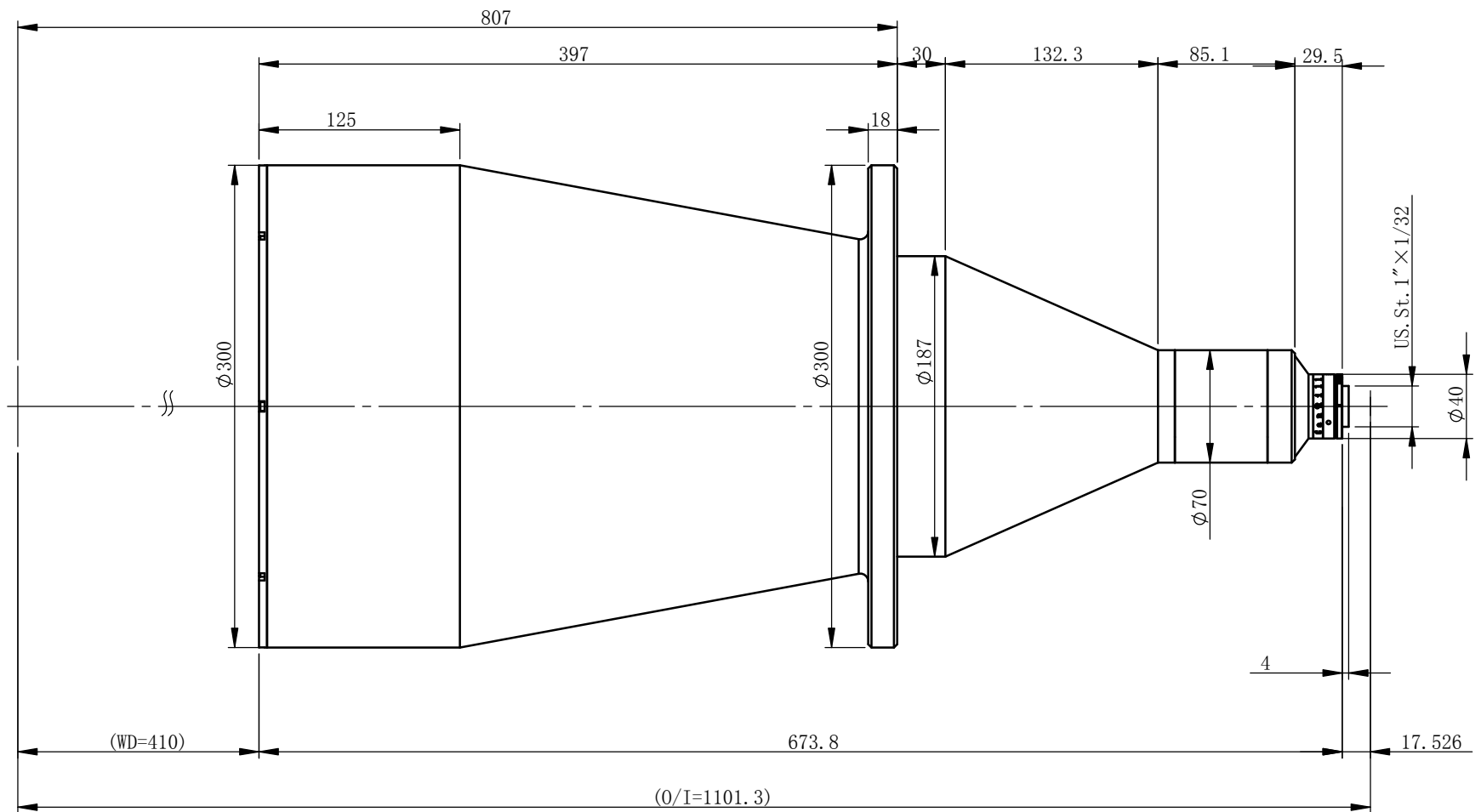


XF-PTL26808-C



Specification

Optical structure	Bi-Telecentric
Magnification	0.0299
Object field of view	$\phi 267.6\text{mm}$
Image field of view	$\phi 8\text{mm}$
Working Distance	$410\text{mm} \pm 3\%$
Telecentricity	$<0.04^\circ (0.06^\circ)$
Depth of field	634.2mm
F#	F5.5
Resolution	$121.3\mu\text{m}$
MTF	$>0.3@185\text{lp/mm}$
Distortion	$<0.100\% (0.113\%)$
Detector type:	

1/2'	6.4×4.8	214.0×160.5mm
1/2.3'	6.2×4.6	207.4×153.8mm
1/2.5'	5.8×4.3	194.0×143.8mm
1/3'	4.8×3.6	160.5×120.4mm

XF-PTLAAABB-C/F/P/M- (L90E) - (VI)

The fourth generation lens of Canrill

The camera mount (M & P mount need specify BFL)

Variable aperture option

Object FOV

90° Steering option

Image FOV

Undefined tolerance (mm)	degree	File Name		
X. X	± 0.2	$\pm 30\text{min}$	XF-PTL26808-C-外形尺寸-EN	
X. XX	± 0.02	Drawing Name		
X. XXX	± 0.005	Drawing Size: A3		
	Sign	Data/Ver.	Material	Ratio
Design				1:5
Modify1			Qty	
Modify2			Total:	Page:

Product Name

Canrill OPTICS

All design and drawings are intellectual property of Canrill Optics, can not be copied without Canrill's authorization.